

LIGHTWEIGHT MOTORIZED TRAVELING

# **SPIRIT** **SLIDE**

Enhance your PTZ shots

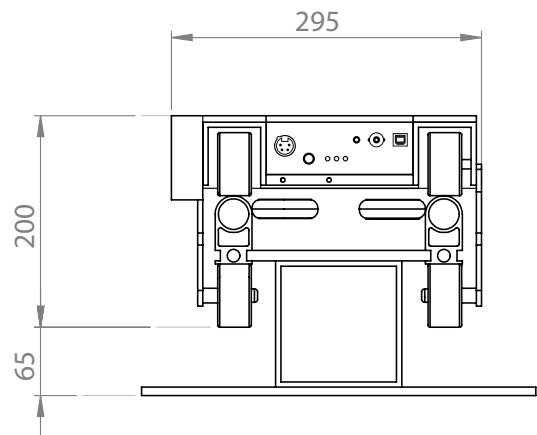
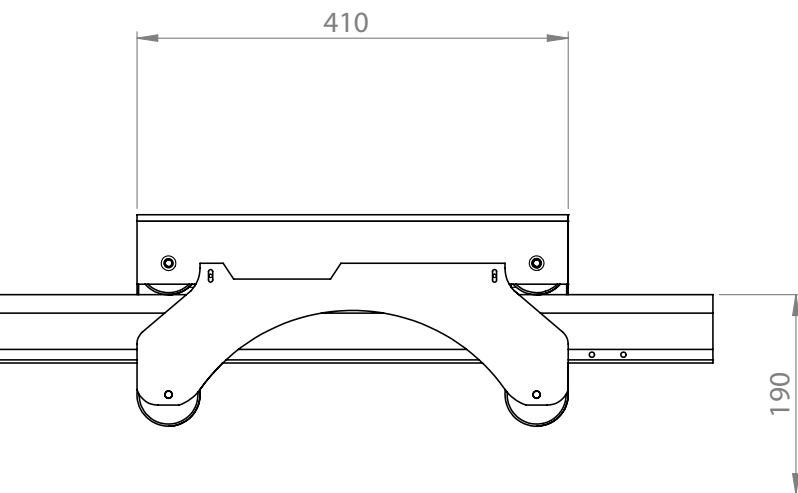


**VP**  
**ready**

**SPIRIT Slide** is a motorized travelling system on straight rails.

Compact in size, it offers a center distance of only 200mm. Discreet, light, and quiet, it can nevertheless accommodate a robotic head and any load up to 12kg!

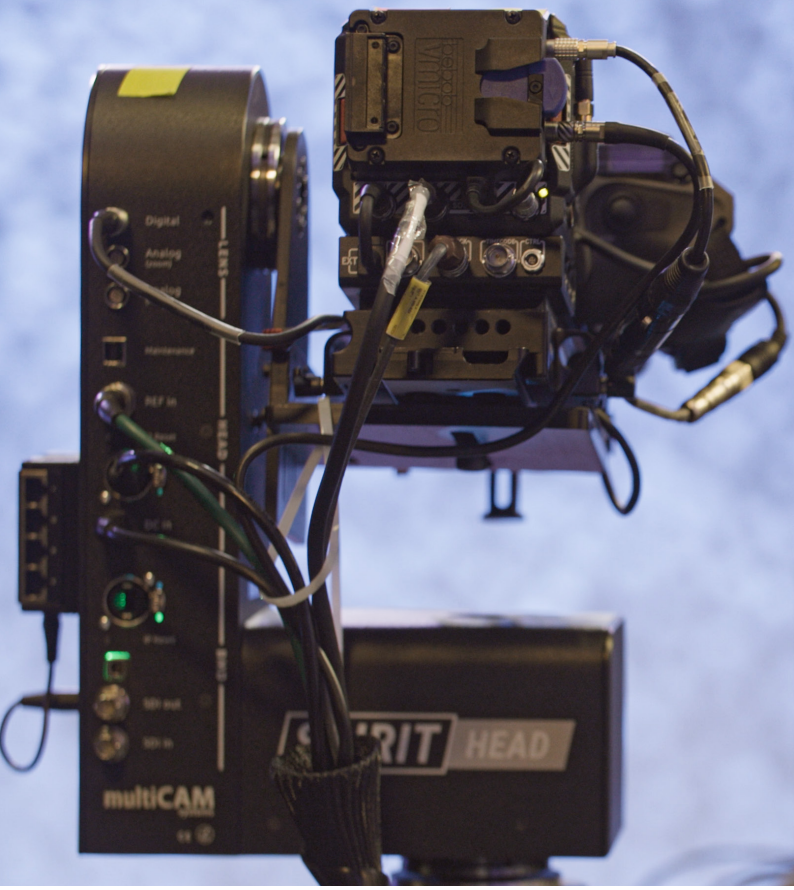
A variant of the Slide is available for a ceiling attachment. The rails are variable in length and interlocking. A single rail can go up to 15 meters in length!



## Technical specifications

<b>Encoder</b>	Incremental / Track Encoded
<b>Resolution</b>	1 185 counts/cm
<b>Accuracy</b>	0.000844 cm
<b>Travel</b>	18 Km
<b>Max Velocity</b>	1.55 m/s
<b>Torque</b>	6.5 Nm
<b>Optical Axis Height</b>	320mm (M) / 420mm (L)
<b>Remote control</b>	IP with Web interface, SPIRIT Joystick, multiCAM Suite, UDP (SPIRIT protocol)
<b>Genlock IN</b>	Black Burst / Tri-Level
<b>Genlock OUT</b>	SDI Loop
<b>Compatibility</b>	SPIRIT Head / PTZ Cameras
<b>Tracking</b>	Free-D (encoding data with AR pack)
<b>Network</b>	2x RJ45 (Slide, Head)
<b>Power IN</b>	24Vdc 8A
<b>Dimensions</b>	41 cm (W) x 30 cm (D) x 20 cm (H) On rails: 26.5 cm (H) Cabling margin to add: 20 cm
<b>Weight</b>	9.3 kg





**SPIRIT Robotic Solutions are used in various Virtual and Augmented Reality productions.**

**Contact us for a turnkey solution!**



**SPIRIT**

[www.multicam-systems.com](http://www.multicam-systems.com)

**multiCAM**  
systems



# **SPIRIT**

Contact us to receive our pricing list  
and live demo invites!

[sales@multicam-systems.com](mailto:sales@multicam-systems.com)

**multiCAM**  
systems

[www.multicam-systems.com](http://www.multicam-systems.com)