

# CUSTOMIZABLE MOTORIZED TRAVELING

## **SPIRIT** **DOLLY**

Push the limits of creativity



**VP**  
**ready**

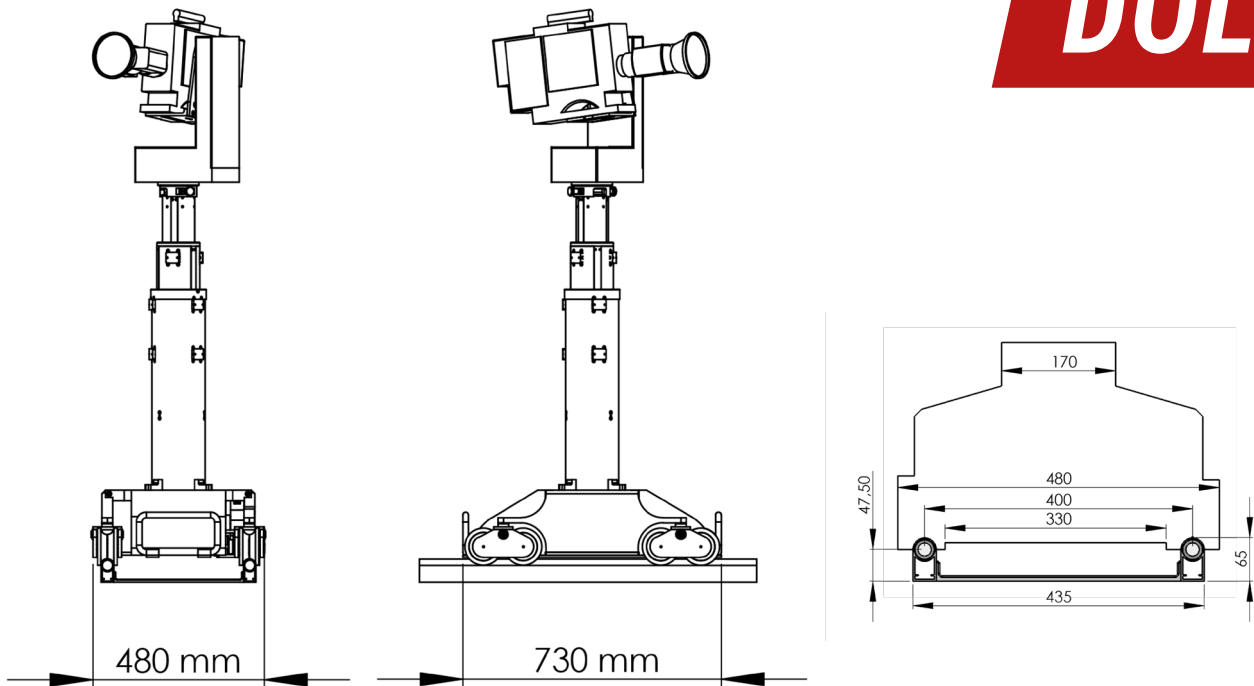
**SPIRIT Dolly** is a robust travelling system able to carry heavy loads such as a motorized column (**SPIRIT Lift**) as well as a robotic head (**SPIRIT Head**) and a broadcast camera.

With our versatile, flexible rail based configurations Dolly can be used with rigid rails (straight or curved) or a flexible rail which attaches directly to the ground.

All speed, acceleration, and travel parameters are adjustable depending on your needs.

SPIRIT Dolly is a fully remote-controlled system that produces impactful, immersive crane-like movements, but with limited human resources.

# DOLLY



## Technical specifications

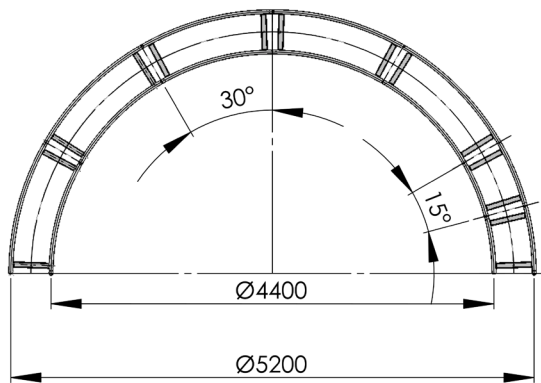
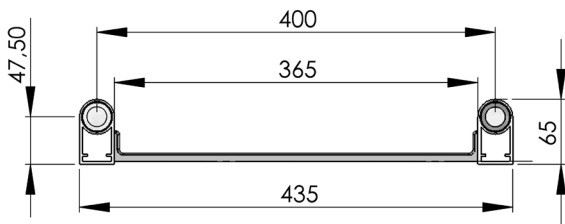
<b>Encoder</b>	Incremental / Track Encoded
<b>Resolution</b>	1505 counts/cm
<b>Accuracy</b>	0.000664 cm
<b>Travel</b>	14 Km
<b>Max Velocity</b>	1.33 m/s
<b>Torque</b>	9.77 Nm
<b>Remote control</b>	IP with Web interface, SPIRIT Joystick, multiCAM Suite, UDP (SPIRIT protocol)
<b>Genlock IN</b>	Black Burst / Tri-Level
<b>Genlock OUT</b>	SDI Loop
<b>Compatibility</b>	SPIRIT Lift / SPIRIT Head
<b>Tracking</b>	Free-D (encoding data with AR pack)
<b>Network</b>	2x RJ45 (Dolly/Lift+Head)
<b>Power IN</b>	24Vdc 15A
<b>Power OUT</b>	12Vdc 5A (XLR 4 points for camera) 24Vdc (XLR 3 points for HEAD) 220Vdc (PC)
<b>Power OUT</b>	12Vdc 5A (XLR 4 points for camera) 24Vdc (XLR 3 points for HEAD) 220Vdc (PC)
<b>Dimensions</b>	73 cm (W) x 48 cm (D) x 21 cm (H) On rails: 26.5 cm (H) Cabling margin to add: 30 cm
<b>Weight</b>	35 kg

**SPIRIT**

[www.multicam-systems.com](http://www.multicam-systems.com)

**multiCAM**  
systems

## RAILS



### Straight sections

Standard straight rail sections: 90cm and 180cm

### Curved sections

Curved rail sections are available in different diameters, on a 30° or 15° curve.

The standard range includes:

- 260-300cm
- 340-380cm
- 420-460cm
- 500-540cm
- 1500-1540cm

You would like to order components with customized length or diameter?

Contact us for all your custom rail production needs.





**SPIRIT Robotic Solutions are used in various Virtual and Augmented Reality productions.**

**Contact us for a turnkey solution!**



**SPIRIT**

[www.multicam-systems.com](http://www.multicam-systems.com)

**multiCAM**  
systems

# **SPIRIT**

Contact us to receive our pricing list  
and live demo invites!

[sales@multicam-systems.com](mailto:sales@multicam-systems.com)

**multiCAM**  
systems

[www.multicam-systems.com](http://www.multicam-systems.com)