

ALL-IN-ONE LIVE VIDEO PRODUCTION SYSTEMS

# multiCAM systems

## SPECIFICATIONS 2020



BROADCAST



CONFERENCE



MEDICAL



EDUCATION

[www.multicam-systems.com](http://www.multicam-systems.com)

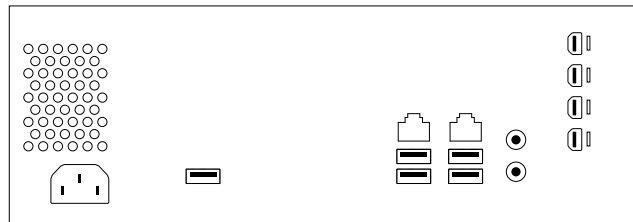
## MULTICAM IP BOX

The MULTICAM IP server box allows to connect IP and NDI<sup>®</sup> video sources. No capture cards so audio has to be received through Sound Devices (USB or AOIP).

This 2 RU unit (ears included) is recommended for Webcast quality production mixing **up to 4 HD video feeds (720 50p, 720 30p, 1080 50i, 1080 60i, 1080 25p, 1080 30p)**.

### System connectivity I/O

---



#### Video inputs/outputs (display monitor)

- IP streams only (NDI, IP, RSTP, ...)

#### Audio inputs

- Virtual sound devices (USB, AOIP)
- 1x 1/4" Line in Jack

#### Network

- 2x Gigabit LAN

#### Data/Peripherals

- 1x 128GB SSD Hard Drive (System)
- 1x 1TB 7200rpm Hard Drive (Records)
- 4x USB 3.0 + 2x USB 2.0
- 4x mini-Displayport with DP and HDMI adaptors
- 1x 1/4" Headphones Jack

### Hardware / Software

---

**CPU :** Intel i7-7700 3.6Ghz

**Operating system:** Windows 10 Pro 64bits

**RAM :** 8GB DDR4 ECC

**Voltage:** 220V 50-60Hz

## MULTICAM IP BOX

### Video performances

---

The MULTICAM IP BOX can achieve video mixing while encoding for record and live streaming.

#### HD video mixing

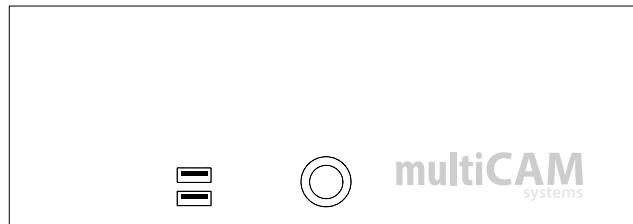
- up to 4x Video feeds (IP/NDI) / 720 50p, 720 30p, 1080 50i, 1080 60i, 1080 25p, 1080 30p.

#### HD video encoding

- 2x MP4 H.264 (GPU)

### Physical specifications

---



Unit dimensions: 245mm (19") W x 90mm (2U) H x 220mm D

Unit weight: 3,5 kg

Packed dimensions: 250mm W x 140mm H x 320mm D

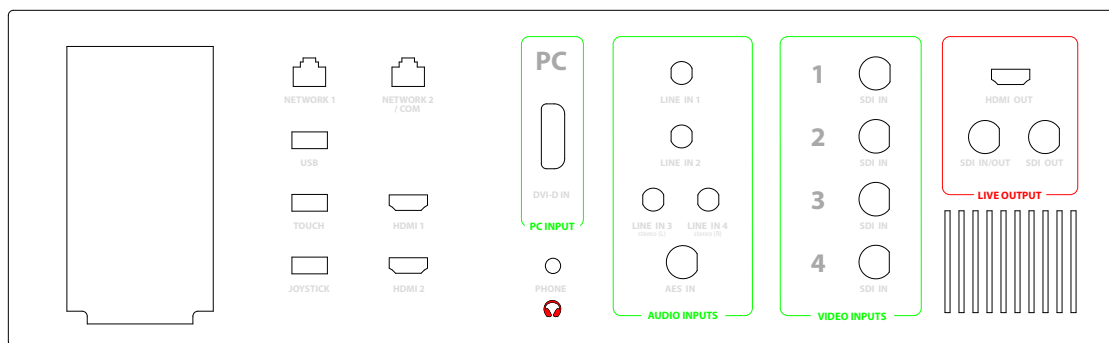
Packed weight: 4,5 kg

## MULTICAM SDI BOX 4+1

The MULTICAM SDI server box allows to connect HD-SDI / IP and NDI<sup>®</sup> video sources and Analog Audio inputs embedded in physical outputs.

This 3 RU unit is recommended for Broadcast quality production mixing **up to 5 HD video feeds** (720 50p, 720 30p, 1080 50i, 1080 60i, 1080 25p, 1080 30p).

### System connectivity I/O



#### Video inputs

- **4x HD-SDI**
- 1x HD-SDI (can be used as input or output)
- 1x DVI-D (optional)

#### Video outputs (audio embedded)

- 1x HD-SDI
- 1x HDMI
- 1x HD-SDI (can be used as input or output)

#### Audio inputs

- 2x Line mono (balanced analog 1/4 inch jack)
- 1x Line stereo (balanced analog 1/4 inch jack)
- 1x AES/EBU (unbalanced)

#### Network

- 2x Gigabit LAN

#### Data/Peripherals

- 1x 128GB SSD Hard Drive (System)
- 1x 1TB 7200rpm Hard Drive (Records)
- 5x USB 3.0
- 1x HDMI or VGA (GUI)
- 1x 1/4" Headphones Jack
- **4x Serial com** (Visca control)

### Hardware / Software

**CPU :** Intel Xeon Quad-Core 3.6Ghz 2123

**Operating system:** Windows 10 Pro 64bits

**RAM :** 16GB DDR4 ECC

**Voltage:** 220V 50-60Hz

**MULTICAM SDI BOX 4+1**

## Video performances

---

The MULTICAM SDI BOX 4+1 can achieve video mixing while encoding for record and live streaming.

**HD video mixing**

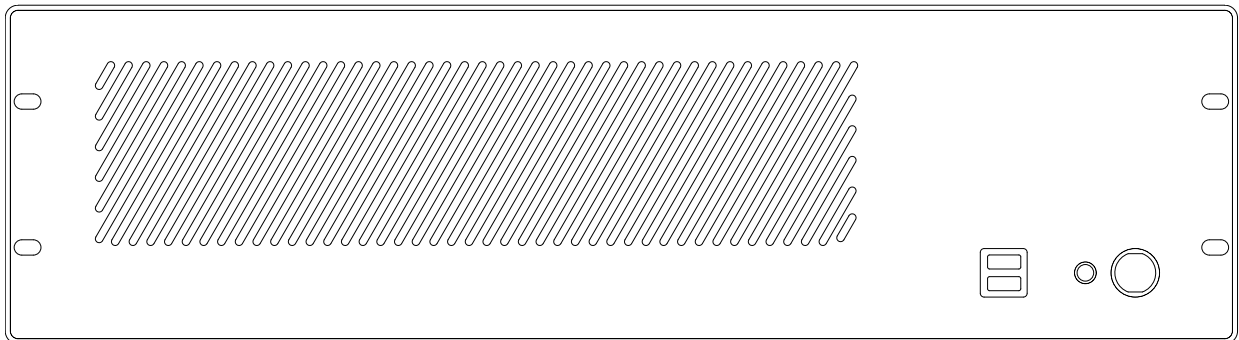
- up to 5x Video feeds (HD-SDI and DVI-D and IP/NDI) 720 50p, 720 30p, 1080 50i, 1080 60i, 1080 25p, 1080 30p.

**HD video encoding**

- 2x MP4 H.264 (GPU)
- 1x MP4 H.264 (CPU) less 2 Mbps

## Physical specifications

---



Unit dimensions: 482mm (19") W x 133mm (3U) H x 405mm D

Unit weight: 9 kg

Packed dimensions: 600mm W x 220mm H x 556mm D

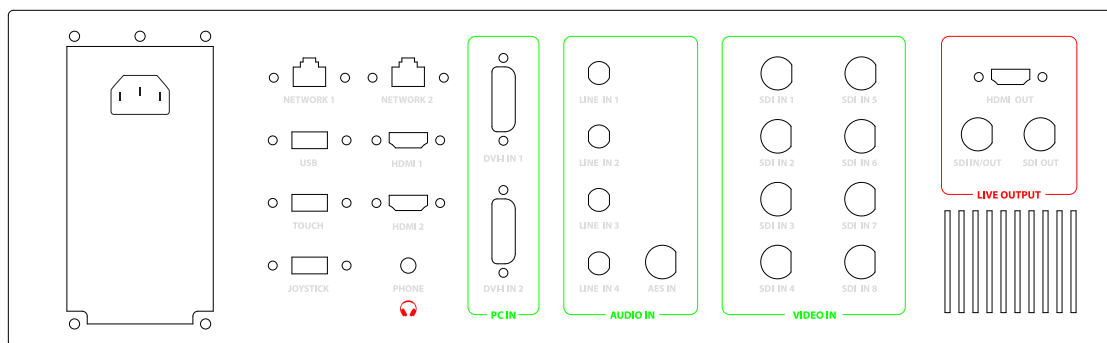
Packed weight: 10 kg

## MULTICAM SDI BOX 8+1

The MULTICAM SDI server box allows to connect HD-SDI / IP and NDI<sup>®</sup> video sources and Analog Audio inputs embedded in physical outputs.

This 3 RU unit is recommended for Broadcast quality production mixing **up to 8 HD video feeds (720 50p, 720 30p, 1080 50i, 1080 60i, 1080 25p, 1080 30p)**.

### System connectivity I/O



#### Video inputs

- 8x HD-SDI
- 2x DVI-D (optional)

#### Video outputs (audio embedded)

- 1x HD-SDI
- 1x HDMI
- 1x HD-SDI

#### Audio inputs

- 2x Line mono (balanced analog 1/4 inch jack)
- 1x Line stereo (balanced analog 1/4 inch jack)
- 1x AES/EBU (unbalanced)

#### Network

- 2x Gigabit LAN

#### Data/Peripherals

- 1x 128GB SSD Hard Drive (System)
- 1x 1TB 7200rpm Hard Drive (Records)
- 5x USB 3.0
- 1x HDMI or VGA (GUI)
- 1x 1/4" Headphones Jack

### Hardware / Software

**CPU :** Intel Xeon Quad-Core 3.6Ghz 2133

**Operating system:** Windows 10 Pro 64bits

**RAM :** 16GB DDR4 ECC

**Voltage:** 220V 50-60Hz

**MULTICAM SDI BOX 8+1**

### Video performances

---

The MULTICAM SDI BOX 4+1 can achieve video mixing while encoding for record and live streaming.

**HD video mixing**

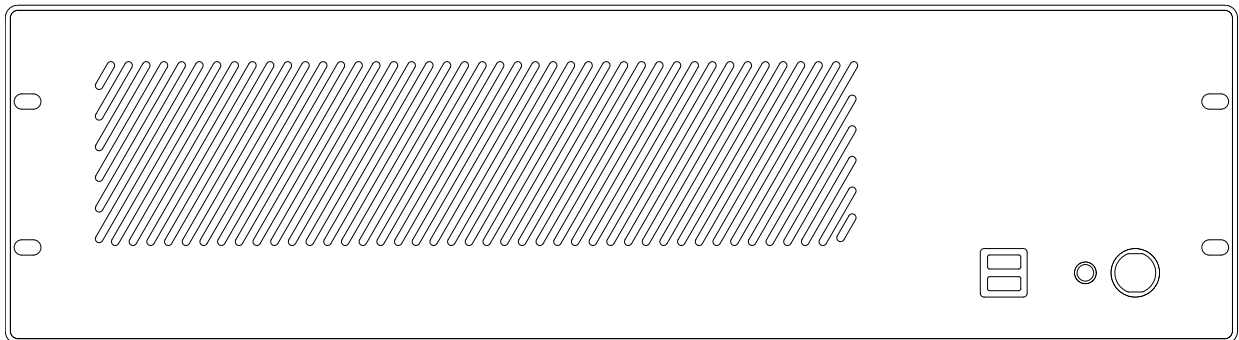
- up to 9x Video feeds (HD-SDI and DVI-D and IP/NDI) / 720 50p, 720 30p, 1080 50i, 1080 60i, 1080 25p, 1080 30p.

**HD video encoding**

- 2x MP4 H.264 (GPU)
- 1x MP4 H.264 (CPU) less 2 Mbps

### Physical specifications

---



Unit dimensions: 482mm (19") W x 133mm (3U) H x 405mm D

Unit weight: 9 kg

Packed dimensions: 600mm W x 220mm H x 556mm D

Packed weight: 10 kg

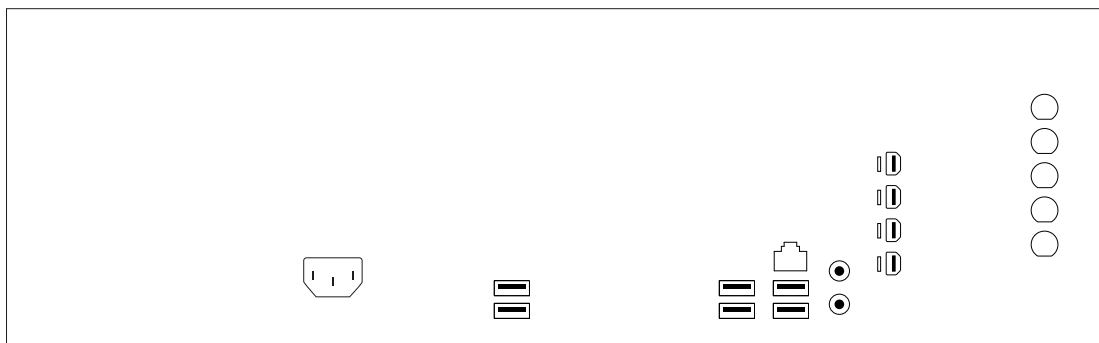
MULTICAM SDI BOX **XS**

The MULTICAM SDI «SHORT» server box allows to connect HD-SDI in/out video sources for ingesting or outputting feeds.

This 3 RU unit is recommended for ENHANCED BROADCAST SOLUTIONS:

- **PILOT:** up to 3 cameras + 1 SDI monitor.
- **AIR BRIDGE:** output up to 4 remote guests for ingest in your main server.
- **BACKDROP:** output up to 3 screens in 4K resolution
- **VIRTUAL STUDIO:** up to 2 AR cameras.

System connectivity I/O



**Video inputs/outputs variants:**

1. 4x HD-SDI inputs
2. 3x HD-SDI input + 1 output
3. 2x HD-SDI inputs + 2 outputs + GENLOCK

**Video graphic card:**

- 4x DisplayPort 4K (GUI + screen)
- 3D AR-Ready (option)

**Network**

- 1x Gigabit LAN

**Data/Peripherals**

- 1x 128GB SSD Hard Drive (System)
- 1x 1TB 7200rpm Hard Drive (Records)
- 2x USB 2.0
- 4x USB 3.0
- 1x 1/4" Headphones Jack

Hardware / Software

**CPU :** Intel i7 8700

**Operating system:** Windows 10 Pro 64bits

**RAM :** 8GB DDR4 ECC

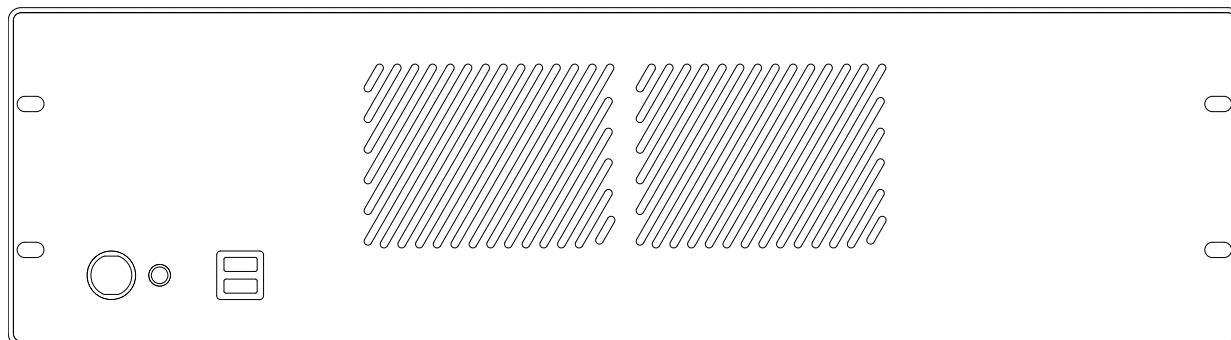
**Voltage:** 220V 50-60Hz



MULTICAM SDI BOX **XS**

Physical specifications

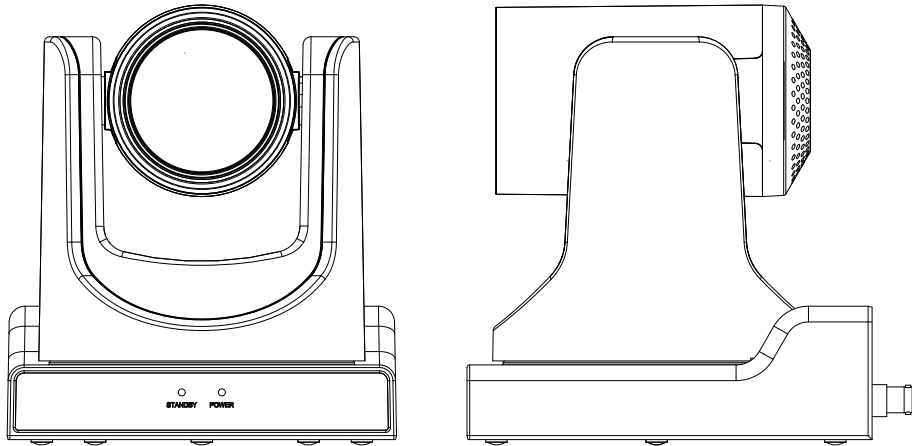
---



Unit dimensions: 482mm (19") W x 133mm (3U) H x 300mm D    Unit weight: 5,5 kg

MULTICAM CAMERA **mCAM 2 PTZ**

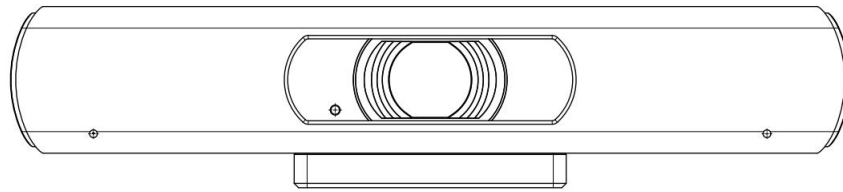
The mCAM PTZ camera is offering both HD-SDI and IP video signal. With POE+ support, no need for a power plug.



Sensor	1/2.7" 2.07MP CMOS
<b>Lens 1</b> (default)	f3.5 ~ 42.3mm, F1.8 ~ F2.8 (Optical Zoom x12)
Lens 2	f4.42 ~ 88.5mm, F1.8 ~ F2.8 (Optical Zoom x20)
Video Output	1080p 60 / 50 / 30 / 25 fps, 1080i 60 / 50 fps, 720p 60 / 50 / 30 / 25 fps
Panning Angle	-170° ~ +170°
Tilting Angle	-30° ~ +90°
Preset Positions	255
Video Output interface	HDMI, 3G-SDI, Ethernet, NDI (optional)
Network Interface	ONVIF / RTSP Streaming / RTMP Streaming POE+ (802.3af) IP Control
Control Protocol	RS-232 / RS-422 / Ethernet
Weight	1,4kg
Dimensions	169 x 142 x 164 mm

## MULTICAM CAMERA **mCAM Fix**

The mCAM Fix camera is offering IP video signal. With POE+ support, no need for a power plug. You can choose the lens you want according to field of view you are targeting.



Sensor	1/2.5" 8.51MP CMOS
Lens 1	f7.35mm (46°)
<b>Lens 2</b> (default)	f3.5mm (84°)
Lens 3	f2.8mm (120°)
Video Output	2160p 30 / 25 fps, 1080p 60 / 50 / 30 / 25 fps, 720p 60 / 50 fps
Video Output interface	Ethernet USB (UVC v1.0 / 1.1 / 1.5)
Network Interface	ONVIF / RTSP Streaming / RTMP Streaming POE+ (802.3af) IP Control
Control Protocol	RS-232 / RS-422 / Ethernet
Weight	0,5kg
Dimensions	194 x 34 x 42 mm